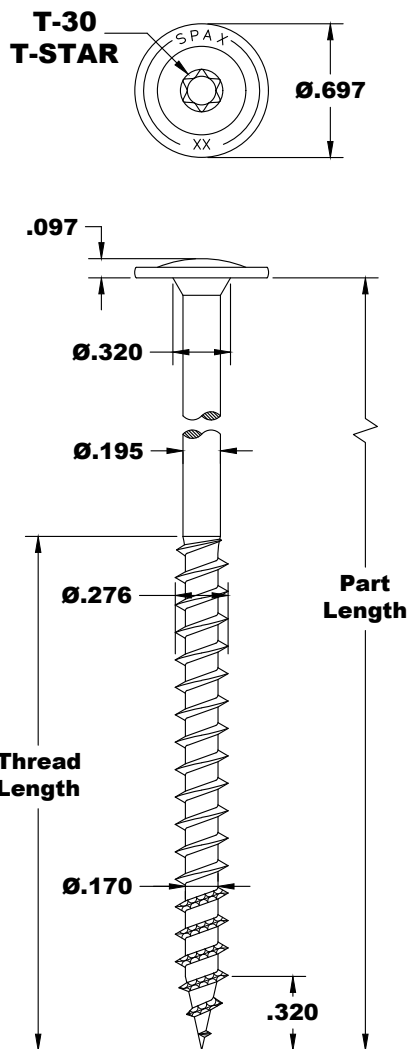


1/4" T-STAR WASHER HEAD POWERLAGS®



Size	Head Marking (X.X)	Part Length	Thread Length
1/4 x 2-1/2"	2.5	2.000	1.375
1/4 x 3"	3	3.000	1.790
1/4 x 3-1/2"	3.5	3.500	1.960
1/4 x 4"	4	4.000	2.375
1/4 x 4-1/2"	4.5	4.500	
1/4 x 5"	5	5.000	
1/4 x 6"	6	6.000	

Notes:

- Nominal dimensions in inches with no tolerances
- Information contained in this document is subject to change and periodic updates. Please contact SPAX or refer to spax.us for current product information including available coating options.

	SCALE NOT-TO-SCALE	DRAWN KLS	DESCRIPTION 1/4" T-STAR WASHER HEAD POWERLAGS®	
	DATE 7/18/19	CHECKED CHECKED	SIZE	CP
	SHEET 1 of 1	APPROVED APPROVED	A	CP-XW250
	<small>PROPRIETARY - THIS MATERIAL IS THE SOLE PROPERTY OF ALTENLOH, BRINCK AND CO. U.S., INC. AND IS NOT TO BE REPRODUCED OR DISTRIBUTED WITHOUT PRIOR WRITTEN CONSENT FROM ALTENLOH, BRINCK AND CO. U.S., INC.</small>			REV