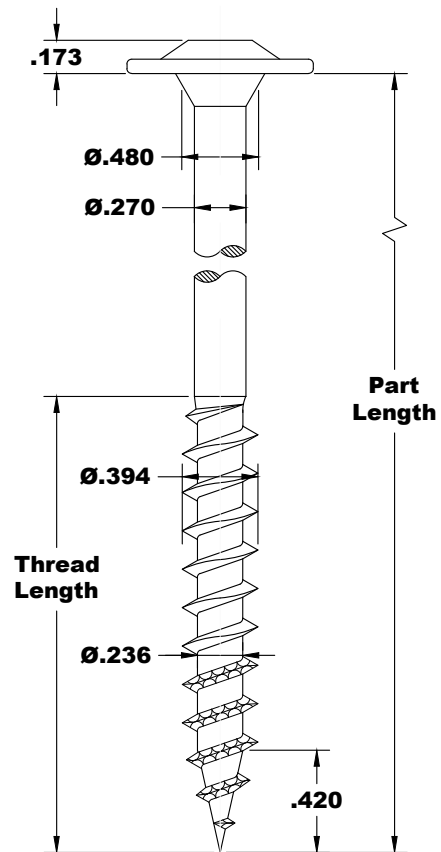
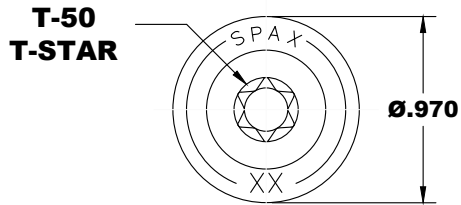


# 3/8" T-STAR WASHER HEAD POWERLAGS®



Size	Head Marking (X.X)	Part Length	Thread Length
3/8 x 5"	5	5.000	3.150
3/8 x 6"	6	6.000	
3/8 x 8"	8	8.000	
3/8 x 10"	10	10.000	

**Notes:**

- Nominal dimensions in inches with no tolerances
- Information contained in this document is subject to change and periodic updates. Please contact SPAX or refer to [spax.us](http://spax.us) for current product information including available coating options.

	SCALE <b>NOT-TO-SCALE</b>	DRAWN <b>KLS</b>	DESCRIPTION 3/8" T-STAR WASHER HEAD POWERLAGS®		REV —
	DATE 7/18/19	CHECKED <b>CHECKED</b>			
	SHEET 1 of 1	APPROVED <b>APPROVED</b>	SIZE <b>A</b>	CP- <b>CP-XW375</b>	