

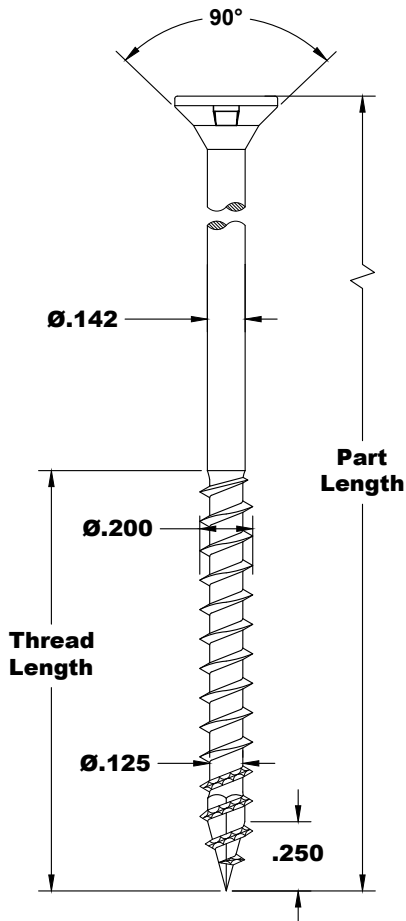
T-20  
T-STAR plus



#2 Unidrive  
(#2 Sq. / #2 Phillips)



Ø.390



# #10 MULTI-PURPOSE SCREW FLAT COUNTERSUNK HEAD



Size	Part Length	Thread Length	
		Full	Partial
#10 X 3/4"	0.750	Full	-
#10 X 1"	1.000		-
#10 X 1-1/4"	1.250		-
#10 X 1-1/2"	1.500		1.000
#10 X 2"	2.000		1.250
#10 X 2-1/2"	2.500	2.275	1.600*
#10 X 3"	3.000	2.375	1.600
#10 X 3-1/2"	3.500		2.375

\*Thread length for #10 x 2-1/2" Stainless Steel = 1.450

**Notes:**

- Nominal dimensions in inches with no tolerances
- Information contained in this document is subject to change and periodic updates. Please contact SPAX or refer to [spax.us](http://spax.us) for current product information including available material types (i.e. carbon or stainless steel), and available coating options.

	SCALE <b>NOT-TO-SCALE</b>	DRAWN <b>KLS</b>	DESCRIPTION <b>#10 MULTI-PURPOSE SCREW FLAT COUNTERSUNK HEAD</b>		REV
	DATE <b>6/7/19</b>	CHECKED <b>CHECKED</b>	SIZE	DWG NO	
	SHEET <b>1 of 1</b>	APPROVED <b>APPROVED</b>	<b>A</b>	<b>CP-XF_10</b>	
	<small>PROPRIETARY - THIS MATERIAL IS THE SOLE PROPERTY OF ALTENLOH, BRINCK AND CO. U.S., INC. AND IS NOT TO BE REPRODUCED OR DISTRIBUTED WITHOUT PRIOR WRITTEN CONSENT FROM ALTENLOH, BRINCK AND CO. U.S., INC.</small>				