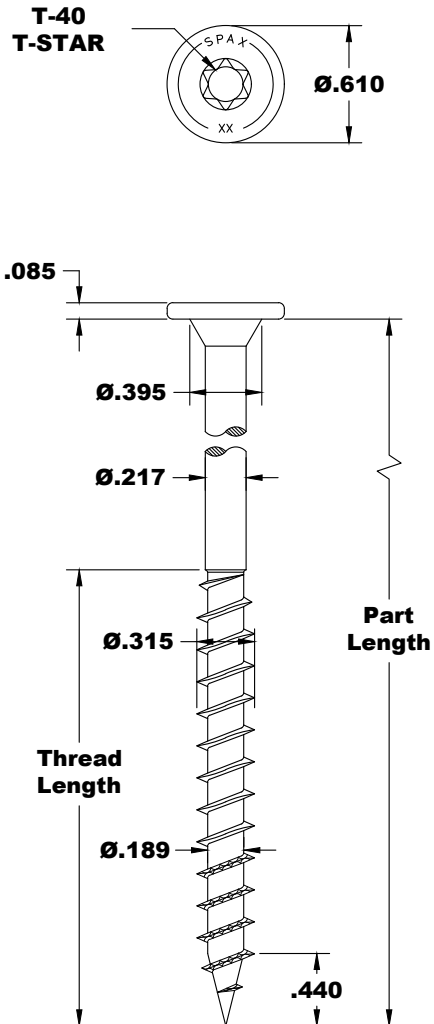


# 5/16" T-STAR PANCAKE HEAD POWERLAGS®



Size	Head Marking (X.X)	Part Length	Thread Length
5/16 x 4"	4	4.000	2.375
5/16 x 6"	6	6.000	
5/16 x 8"	8	8.000	
5/16 x 9"	9	9.000	
5/16 x 10"	10	10.000	
5/16 x 11"	11	11.000	
5/16 x 12"	12	12.000	
5/16 x 13"	13	13.000	
5/16 x 14"	14	14.000	
5/16 x 15"	15	15.000	
5/16 x 16"	16	16.000	
5/16 x 18"	18	18.000	

**Notes:**

- Nominal dimensions in inches with no tolerances
- Information contained in this document is subject to change and periodic updates. Please contact SPAX or refer to [spax.us](http://spax.us) for current product information including available coating options.

	SCALE <b>NOT-TO-SCALE</b>	DRAWN <b>KLS</b>	DESCRIPTION 5/16" T-STAR PANCAKE HEAD POWERLAGS®		REV —
	DATE 7/18/19	CHECKED <b>CHECKED</b>			
	SHEET 1 of 1	APPROVED <b>APPROVED</b>	SIZE <b>A</b>	CP- <b>CP-XTM312</b>	
	<small>PROPRIETARY - THIS MATERIAL IS THE SOLE PROPERTY OF ALTENLOH, BRINCK AND CO. U.S., INC. AND IS NOT TO BE REPRODUCED OR DISTRIBUTED WITHOUT PRIOR WRITTEN CONSENT FROM ALTENLOH, BRINCK AND CO. U.S., INC.</small>				