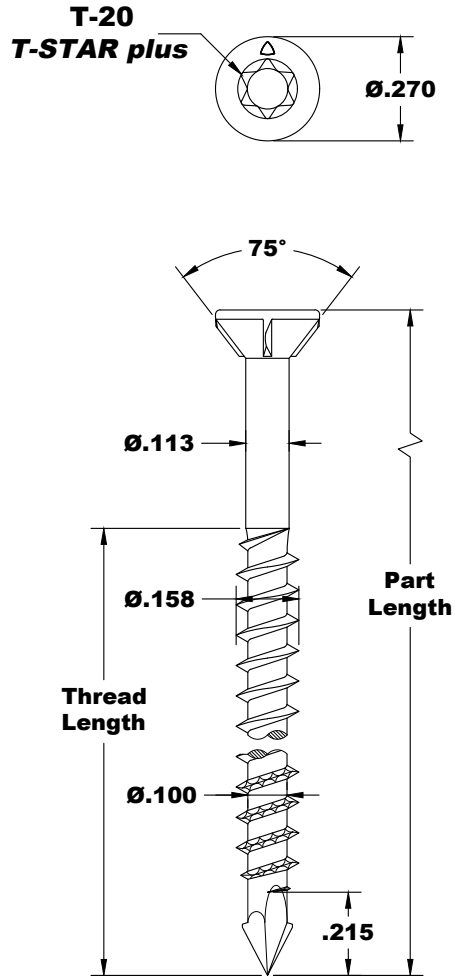


#8 MDF / HARDWOOD SCREW

T-STAR plus



Size	Part Length	Thread Length
#8 x 1-3/4"	1.750	1.160
#8 x 2-1/2"	2.500	1.380

Notes:

- Nominal dimensions in inches with no tolerances
- Information contained in this document is subject to change and periodic updates. Please contact SPAX or refer to spax.us for current product information including available material types (i.e. carbon or stainless steel), and available coating options.

	SCALE NOT-TO-SCALE	DRAWN KLS	DESCRIPTION #8 MDF / Hardwood Screw T-STAR plus	
	DATE 7/25/19	CHECKED CHECKED		
	SHEET 1 of 1	APPROVED APPROVED	SIZE A	CP- CP-XMT08

PROPRIETARY - THIS MATERIAL IS THE SOLE PROPERTY OF ALTENLOH, BRINCK AND CO. U.S., INC. AND IS NOT TO BE REPRODUCED OR DISTRIBUTED WITHOUT PRIOR WRITTEN CONSENT FROM ALTENLOH, BRINCK AND CO. U.S., INC.