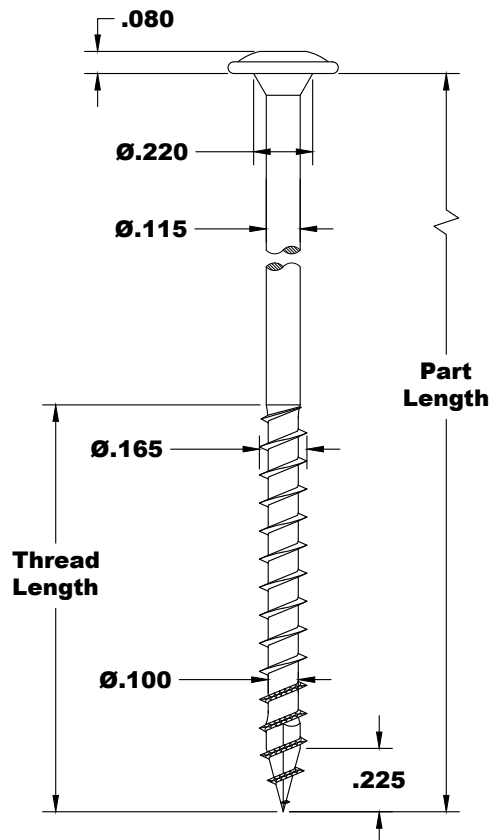
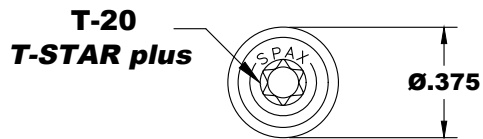


#8 MULTI-PURPOSE SCREW WAFER HEAD



Size	Part Length	Thread Length	
		T-Star Plus	Pozi
#8 x 1-1/4"	1.250	0.670	Full
#8 x 1-1/2"	1.500	0.875	
#8 x 2"	2.000	1.250	-
#8 x 2-1/2"	2.500	1.375	-

Notes:

- Nominal dimensions in inches with no tolerances
- Information contained in this document is subject to change and periodic updates. Please contact SPAX or refer to spax.us for current product information including available coating options.



SCALE NOT-TO-SCALE	DRAWN KLS	DESCRIPTION #8 MULTI-PURPOSE SCREW WAFER HEAD	
DATE 6/11/19	CHECKED RK	SIZE	CP-
SHEET 1 of 1	APPROVED DJK	A	CP-XW_08
			REV —