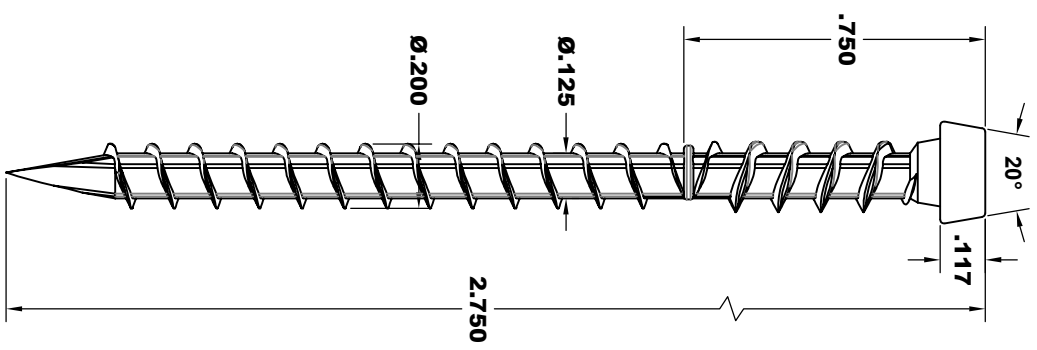



#10 COMPOSITE DECK SCREW



Notes:
 -Nominal dimensions in inches with no tolerances
 -Information contained in this document is subject to change and periodic updates. Please contact SPAX or refer to SPAX.us for current product information including available material types (i.e. carbon or stainless steel), and available coating options.

		SCALE	DRAWN	DESCRIPTION	REV
		NOT-TO-SCALE	KLS		
DATE	CHECKED	#10 COMPOSITE DECK SCREW			REV
4/18/22					
SHEET	APPROVED	SIZE	DWG NO		
1 of 1	A	A	CP-CDS10		
<small>PROPRIETARY - THIS MATERIAL IS THE SOLE PROPERTY OF ALTECNLOH, BRINCK AND CO. U.S., INC. AND IS NOT TO BE REPRODUCED OR DISTRIBUTED WITHOUT PRIOR WRITTEN CONSENT FROM ALTECNLOH, BRINCK AND CO. U.S., INC.</small>					